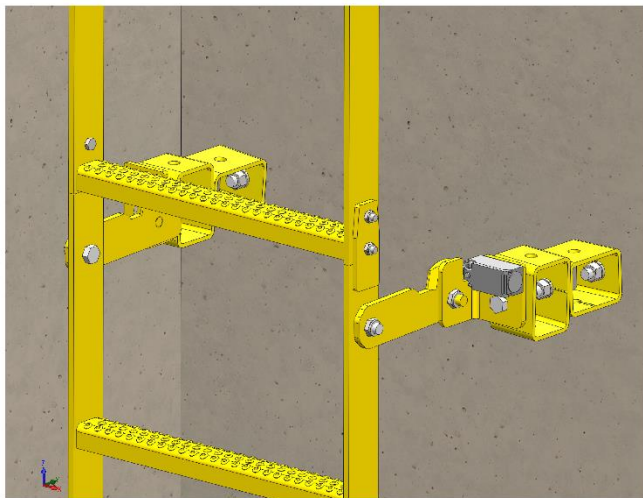
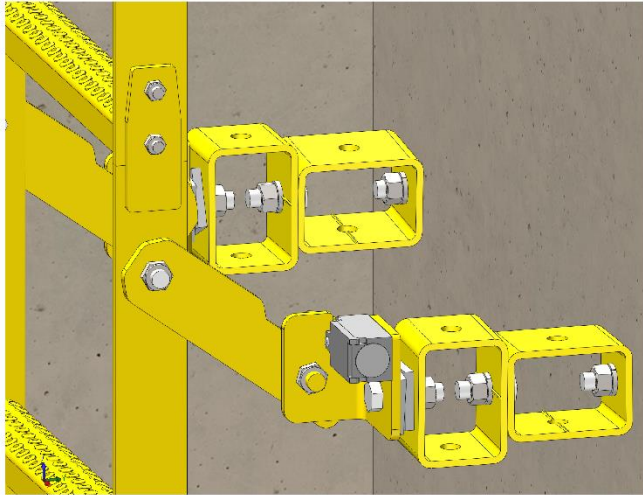




# Bracket Extender™

Universal spacers for mounting  
**Smart Elevator Tech** ladders



- Structural spacers to mount **Smart Elevator Tech** ladders including:
  - **SmartLadder™**
  - **SmartGate Ladder™**
  - **Retracta Ladder®**
  - **Adjusta Ladder™**
- Add **Bracket Extenders™** to bring ladder closer to the car and the entrance daylight line for added safety.
- Increase toe space to more than the 4½" minimum, when car clearance allows.
- Improve ladder to door unlocking device reach, to help meet 39" rule.
- Comply with California Group 5 rule requiring max. 2" ladder to car platform.
- For mounting onto a pit wall or our unique **Divider Beam Kit™** (DBK).
- Orient universal **Bracket Extender™** for either 2.5" or 3.5" spacing.
- Stack multiples for combined spacing – see Stacking Table.
- Combine with common plate washers (not included) for additional spacing.
- HSS 3.5" x 2.5" x 0.188" x 2.5" long, grade A500, powder coat OSHA Yellow.
- Each **Bracket Extender™** includes one (1) 1/2-13 x 1.25" hex bolt, lock washer & nut.
- Meets ASME A17.1/CSA B44.
- Quantities in stock, ready to ship.
- Made with pride in the USA.

Stacking Table

Extension Required	Quantity @ Each Wall Bracket
2-1/2" or 3-1/2"	1
5" to 7"	2
7-1/2" to 10-1/2"	3
11" to 14"	4

**Smart Elevator Tech, LLC**

phone: (415) 819-5744  
 email: sales@smartelevatortech.com  
 web: www.smartelevatortech.com