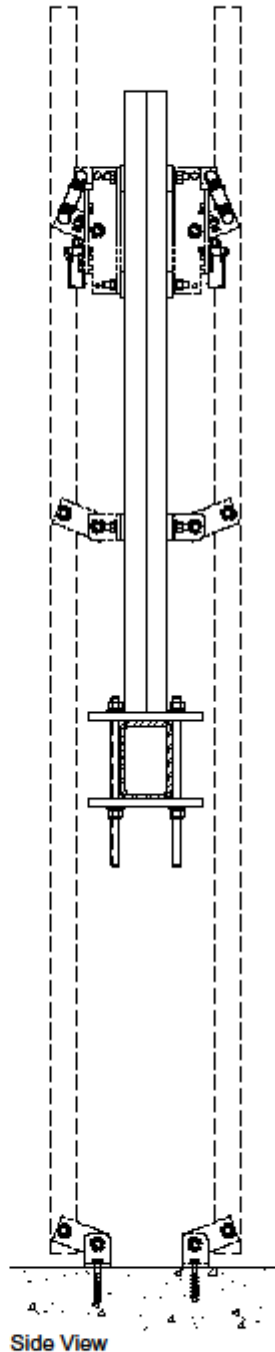
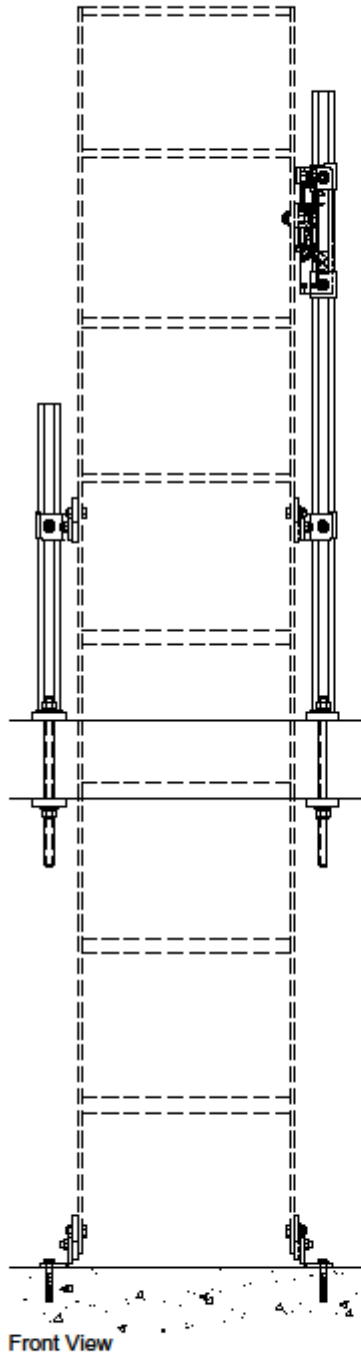


Divider Beam Kit™

Divider beam mounting kit for
Smart Elevator Tech, LLC ladders

(415) 819-5744
sales@smartelevatortech.com
www.smartelevatortech.com



- Complete kit to mount to divider beams **Smart Elevator Tech** ladders including:
 - **SmartLadder™**
 - **Retracta Ladder®**
 - **Adjusta Ladder™**
- The **Divider Beam Kit™** (DBK) can support one (1) ladder or two (2) ladders back-to-back.
- Can accommodate divider beams 3¼" to 6" wide and up to 10" high.
- Divider beams may be HSS (tube steel) or I-beam (standard or wide flange).
- Divider beam top-of-steel (TOS) may be from 6" above to 12" below the elevator sill.
- DBK includes all hardware and fasteners needed for mounting two (2) ladders, except concrete screws for bottom ladder bracket floor anchorage.
- DBK must be ordered with ladder(s), as modifications to ladder(s) are included.
- Standard kit for two-section ladders and Double kit for three-section ladders.
- Meets ASME A17.1/CSA B44.
- Quantities in stock, ready to ship.
- Made with pride in the USA.