

Smart Elevator Tech, LLC

2117 Bush St., San Francisco, CA 94115-3103
 phone: (415) 819-5744 email: rich@blaska.com
 web: www.smartelevatortech.com

Deflector Sheave Isolator™

Order Survey Form

Please complete a form for each different configuration, including mirror image.

Date: _____ Rev.: _____ PO#: _____

Job Name: _____

Job Address: _____

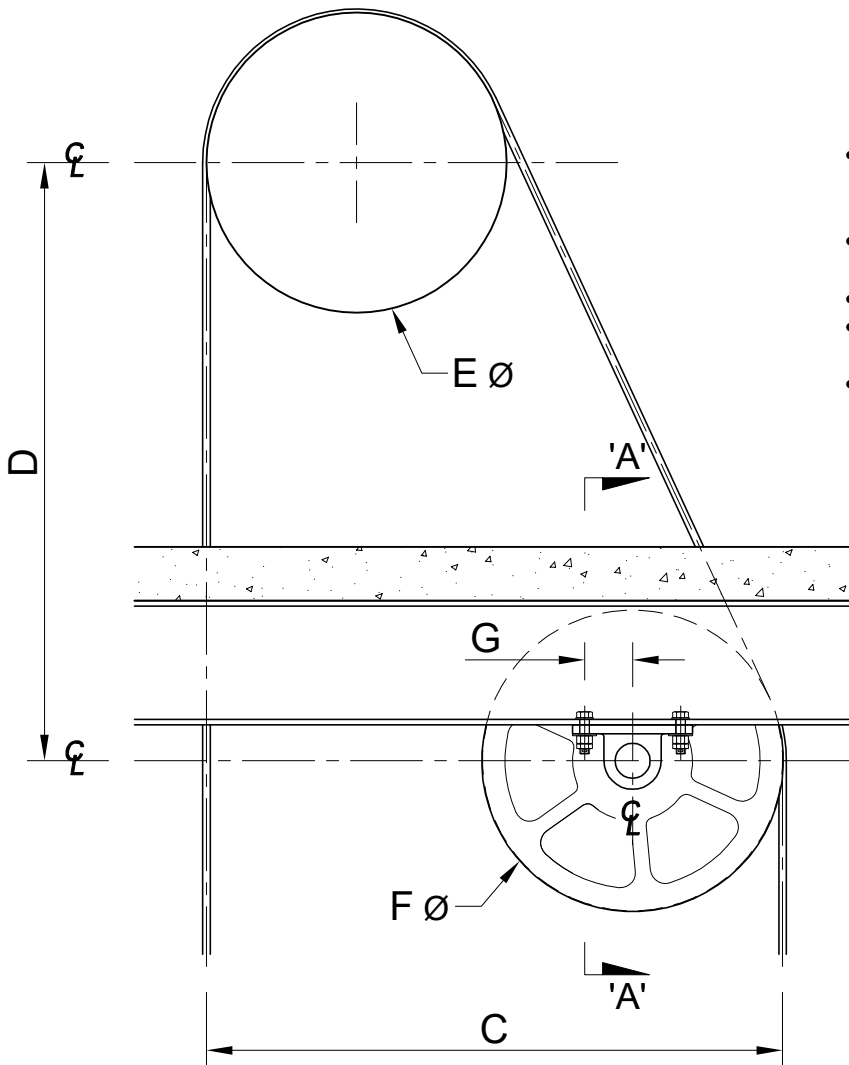
Elevator Data (this form only)

Elevator Number:		A:	
Elevator Speed:		B:	
Total Rise:		C:	
Roping (1:1 or 2:1):		D:	
Hoist Rope Size:		E:	
Hoist Rope Quantity:		F:	
Compensation:		G:	
Rated Capacity:		H:	
Empty Car Weight:		I:	
Counterweight:		J:	
		K:	
Ropes Deflect to (Car or Cwt):			

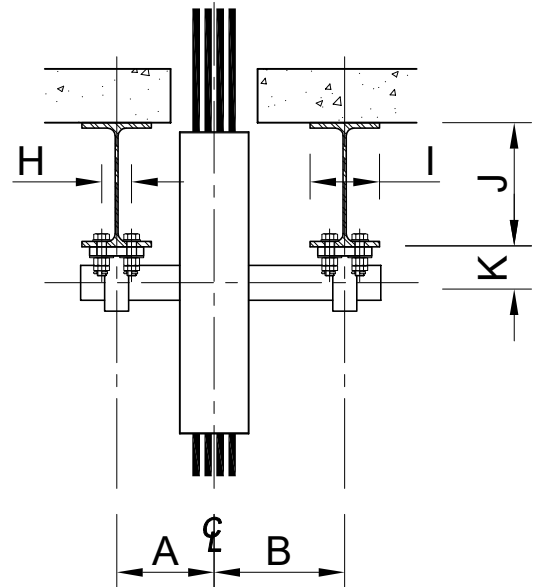
Please save this form for use during installation.

Notes:

- 'A' & 'B' are pillow block center to sheave center dimensions - should be the same as beam center to sheave center. If asymmetrical, isolators will be labeled for installation per form. The Section 'A-A' perspective is standing on the car top, directly under the drive machine and looking at the back of the deflector sheave.
- 'C' is the plumb rope drop center off the drive sheave to the plumb rope drop center off the deflector sheave (typ. the centers from the car to counterweight rails).
- 'D' is the center through the shaft of the drive sheave to the center through the shaft of the deflector sheave.
- 'E' & 'F' are drive and deflector sheave diameters.
- 'G' & 'H' are the bolt spacing for the sheave connection to the machine beams.
- 'I' & 'J' are the machine beam width & height (or write in actual beam size, e.g. W12x30).



SIDE VIEW



SECTION A-A